



## Tapestry Bobbins

In tapestry weaving, many wefts are used at one time to weave the design. Tapestry bobbins or handmade butterflies are used to hold the weft yarns. While butterflies are quick to make, weavers often prefer tapestry bobbins for holding wefts. The quickest way to wind a bobbin is to use a hand or electric bobbin winder equipped with lace heads into which the bobbin can be fitted. During weaving, to keep the bobbins from unwinding when not in use, a half hitch is used to secure the weft.

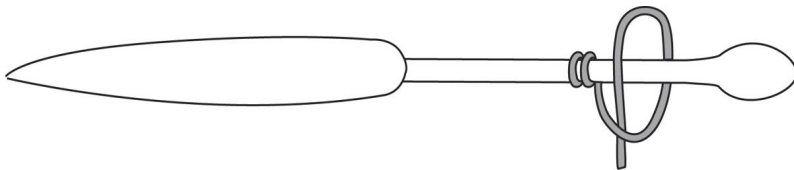


Figure 1: How to make a half hitch to secure a tapestry bobbin.

Our Schacht Tapestry Bobbins, with a softly tapered point, are designed after the bobbins used by the Gobelins Tapestry Workshop in France. They are 8" long, come in bags of 10 (\$19.50) and are made out of hardwood with a lacquer finish.

### Pau Ferro Wood Bobbins Now Available

For a limited time only, we have a supply of tapestry bobbins made from pau ferro wood. These rich, chocolate brown bobbins are a beautiful variation of our regular maple bobbins. Available in packages of 3 for \$12.00.

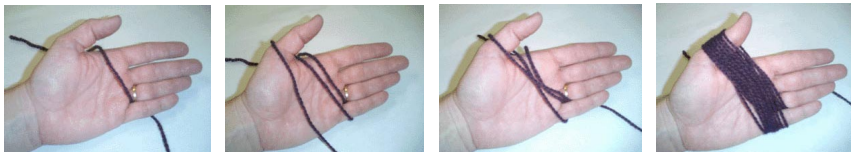


Figure 2: How to make a butterfly. Secure with a half hitch.

## A Merry Cherry Christmas



A limited edition of 8-shaft Cherry Baby Wolf

looms is in production and will be ready to ship in time for the holidays. The cherry package includes an 8-shaft Baby Wolf, Stroller and Wolf Trap. High Castle Trays will also be available in cherry, along with cherry benches, bench bags and boat shuttles. Double back beams and sectional beams can be special ordered for later delivery. Please call your dealer now to order — only a limited number of these looms will be available.



Call your dealer to order your 8-shaft Cherry Baby Wolf package.

## Loom Accessories Explained

Page 2

### Sectional Beams



Sectional warp beams have pegs dividing the beam into 1" or 2" sections, permitting the warp to be wound on one section at a time. The warp is wound on from cones or spools on a rack. From the rack the

threads go through a yardage counter and tension box, which puts the threads under tension and spreads them to the proper width. This method of warping eliminates measuring the warp before beaming and the need for paper or sticks between layers. Sectional beaming saves time when you have very long, wide or bulky warps, or warps with repeating sequences of yarn types or colors.

Our sectional beams, available for our Wolf, Standard, and Cranbrook Floor Looms, are easily assembled and can be installed on the existing warp beam of your Schacht loom at any time.

### Double Back Beams

A double back beam is a second back beam that can be added to your Schacht loom at any time. This beam is positioned behind the first beam and has its own friction brake and brake release.



A second beam is useful when you want to have warp threads under different tensions for weave structures such as warp pile and Bedford cord, or when you have a supplementary warp. Predrilled holes in the loom make for easy assembly.

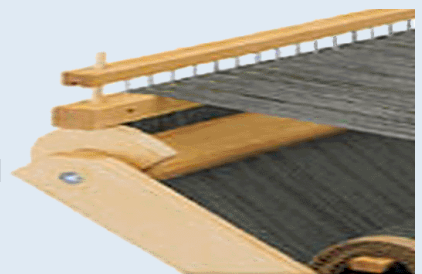
### Raddles

A raddle is a length of wood with pins evenly spaced along it and open at the top. It is used to spread out the warp to the desired width while winding the warp onto the warp beam. Raddles are used when warping the loom from back to front (e.g. winding the warp onto the warp beam, threading the heddles, then sleying the reed).



Schacht raddles have built-in clamps for attaching to the back beam. They come with plated pins inserted every inch and with holes drilled every half inch with enough extra pins for half-inch spacing. All Schacht raddles come with tops that are screwed on with wing nuts after the raddle is threaded.

Baby Wolf and Mighty Wolf raddles come with special mounting brackets for the Wolf diagonal beams, as well as clamps for square beams. Raddles



which mount directly to the loom sides are available for the Cranbrook Loom.

## Dear Violet Rose

Page 3

*Dear Violet Rose,*

What is the difference between Scotch tension and double drive mode?

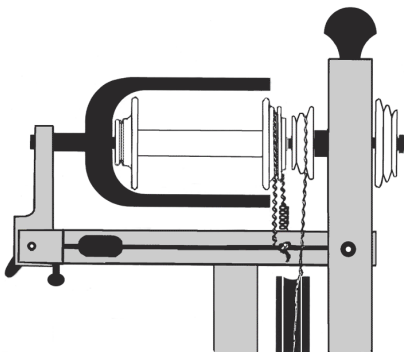
-- A Devoted Reader

*Dear Reader,*

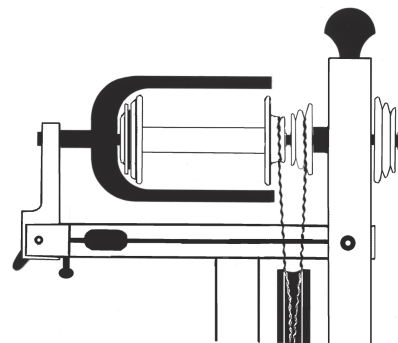
Scotch Tension mode uses a single drive band that goes around the drive wheel and the flyer whorl. A second band, an adjustable brake band, goes around the bobbin. This brake band regulates the speed by which the yarn winds onto the bobbin. In Scotch Tension, when tension is eased on the spun yarn, the bobbin slows or stops while the flyer continues to rotate, which causes the yarn to wind on. This drive mode allows for the most direct control.

New spinners are sometimes uncertain where they should make tension adjustments when spinning in Scotch Tension mode. Generally, the drive band tension is set at the point that the flyer spins. This tension knob is then left untouched during spinning, while any adjustments in take up are made with easing tension for slower take up or increasing tension on the brake band for faster take up.

In double drive mode a single, doubled drive band goes around the drive wheel, with one loop around the flyer whorl and the other loop around the bobbin whorl. This doubled drive band drives both the bobbin and the flyer. In order for the yarn to wind onto the bobbin, the bobbin and flyer must rotate at different speeds — the bobbin rotates faster than the flyer, reeling in the yarn. This is accomplished by making the bobbin whorl smaller in diameter than the flyer whorl.



**Scotch tension mode.** A single drive band goes around the drive wheel and the flyer whorl; an adjustable brake band controls the bobbin. When spinning in Scotch tension on the Schacht Matchless Wheel, the big end of the bobbin points to the back of the wheel, over which the brake band travels.



**Double drive mode.** A single doubled drive band goes around the drive wheel, with one loop around the flyer whorl and the other around the bobbin whorl.

### Our expert responds to your Schacht product questions.

Have a question about a Schacht Spindle product, or a weaving or spinning question? Our expert Violet Rose is not quite omniscient, but we're convinced she's the closest thing to it. Violet Rose will answer as many questions as she can through this column. Write her at [violetrose@schachtspindle.com](mailto:violetrose@schachtspindle.com). While she can't answer your questions directly, look here for the answers.

# Fiesta Mat Project

Page 4



## Project Overview

Fabric strip weft produces lively results in this sturdy mat with beaded fringe. Two colors of rags are alternately woven for the entire length of this mat. Beads strung on stout thread are inserted to form a beaded fringe at either end.

Finished Size: 10" x 15".

## Materials

**Warp yarn:** 8/4 cotton carpet warp at 1680 yd/lb, in peach, used double. 110 yards.

**Weft yarn:** 1/2" cotton fabric strips used two together. 1/2 yard of 45"-wide fabric needed of both orange and print fabric. For hems at either end, peach cotton carpet warp, used double. 10 yards.

56 dark green opaque #5 straight bugle beads

28 6/0 transparent chartreuse round rocaille or seed beads

56 11/0 transparent orange rocaille or seed beads

Needle and thread.

## Equipment

Schacht School Loom with 6-ends-per-inch spacing

2 - 3 12" stick shuttles

2 pick-up sticks

## Warping

Use two ends of cotton carpet warp as one. Measure 60 doubled ends (total ends: 120), 10" wide.

Warp ends per inch (e.p.i.): 6 doubled ends per inch.

Weft picks per inch (p.p.i.): 6 doubled picks per inch. In hem area: 12 doubled picks in 1/2".

Warping: Use two ends together and wind the warp until 10" wide. See notes below for creating a taut warp.

## Weaving

Begin by leaving a weft tail 5" longer than the warp width. Weave 12 picks of doubled carpet warp for the hem. Before beginning the body of the mat, hemstitch across the beginning of the weaving to secure the ends. Insert the beaded fringe. Weave the body of the mat for 15" by alternating doubled solid orange fabric weft strips with doubled printed fabric weft strips. Finish by inserting beads into the warp, weaving 12 picks of doubled cotton carpet warp for hem, and securing with hemstitching.

## Finishing

Cut the weaving from the loom and trim the hemstitched fringe to 3/8". Fold under the hem, poke the fringe and knots under and hand stitch with matching thread. Steam press the hem on wrong side with a lot of pressure. Avoid pressing the beaded fringe.

## Tips and Tricks

### How to get a taut warp on a frame loom

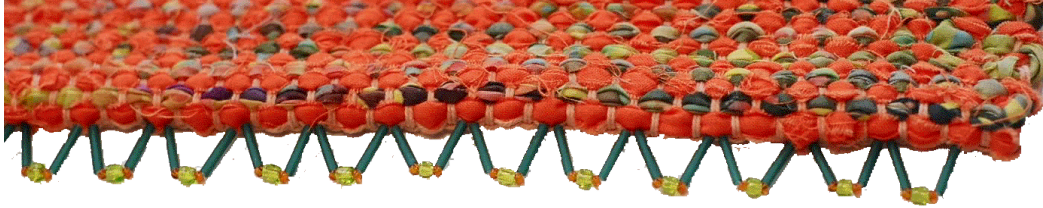
After winding on all of the warp threads on the School Loom, secure the working end and then go back to the beginning and pull up the first warp end, then the next, transferring the slack from the first warp to the next, working all the way over to the other edge. Take out the slack and then repeat until the warp is quite taut.

### Stringing beads for weaving

A stiff thread is a must. Use either nylon thread, fine monofilament fishing line or stout sewing thread. If your thread is too limp to easily thread your beads, you can stiffen it with a tiny amount of glue or nail polish. I have found that fine-gauge wire is too stiff for use in this project.

Working in a small shallow bowl is helpful in containing the beads and picking them up on your string. Be sure to tie a knot in the end of your string large enough to prevent the beads from sliding off. For this mat I strung the beads like this:

1. 1 bugle
2. 1 orange, 1 chartreuse, 1 orange, 2 bugles, repeated 13 times
3. 1 orange, 1 chartreuse, 1 orange, 1 bugle



### **Inserting beads**

If inserting the beads into the weft, place the stringed beads into the shed and arrange the beads where you want them between warp ends. When inserting beads to form a fringe, as I did for this mat, do not place the stringed beads into the shed, but rather lace the bead string under the appropriate warp end, working from one side to the other. For this mat, on an open shed, I laced under every other warp thread (every 4th thread on a closed shed) allowing enough slack in the thread to allow the beads to lie flat.

### **Cutting rags**

Cutting fabric strips. To cut fabric strips you'll need a rotary cutter, a gridded self-healing cutting mat and a lined, clear straight edge. Determine your fabric length and, using both the mat grid and the straight edge grid, cut your rags to the desired width. To speed cutting, fold the fabric as many times as the fabric thickness allows to get a good, clean cut.

### **Joining rags**

Try to make joins as small and unobtrusive as possible. The quickest method I've found is to use a glue stick. Because the glue area stiffens the fabric where the glue is applied, use as small an amount as possible. Alternatively, use a small dot of fabric glue at every join. I use the smallest amount possible.