

# BABY WOLF

## ASSEMBLY INSTRUCTIONS

### BEFORE YOU BEGIN

Check out our Youtube Channel  
for the Baby Wolf assembly video.  
([www.youtube.com/user/schachtspindle](http://www.youtube.com/user/schachtspindle))

#### PARTS CHECK LIST

*Wrapped onto rear beam:*

- 3 – apron rods
- 2 – lease sticks (with holes)
- 1 – 27" Treadle Aid dowel for 8-shaft and 4now-4later looms
- 2 – 27" dowels (for Cherry Looms only)

*Accessory pack:*

- 1 – Brass Reed Hook
- 1 – Warp Beam Crank Handle
- 10 – 29" Apron Cords (or 2 – 7-yard Apron Cords, for Cherry Looms only)
- Maintenance and Warranty Manual

See the Maintenance and Warranty Manual or our website for a labelled diagram of the entire loom.

#### UNFOLDING THE LOOM

1. Remove all plastic wrap from the loom.
2. Remove the wood shipping brace by slightly loosening the black knobs at the back and Phillips-head machine screw at the front. Discard the brace and tighten the knobs and screws.
3. Slightly loosen the two black fold knobs on both sides of the loom. Generally, a single turn will do.

**Note: Loosening the knobs all the way or removing them can cause the loom to collapse which could result in injury.**

4. Stand at the side of the loom. Hold the front and rear beams together slightly. Pull the slide lock bars out toward the back of the loom.
5. Continue holding onto the front and rear beams and allow the loom to unfold all the way. If there is a warp on the loom,

#### HARDWARE BAG

- 1 – 3/8" cap nut and 1- 3/8" washer for crank handle
- 2 – 1/2" x 1 3/4" beater pegs
- 2 – 3/4" Phillips screws
- 3 – extra 8/32" hex nuts for harnesses

*4-shaft looms:*

- 400 – heddles
- 24 – tie-up cords

*8-shaft or 4-now-4-later:*

- 800 – heddles
- 80 – tie-up cords
- 10 – treadle aid (elastic) cords

step on the brake release pedal while unfolding the loom to loosen the warp.

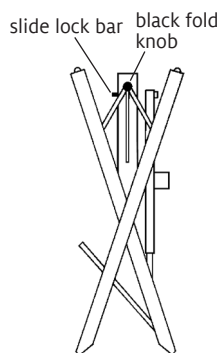
6. When the loom is all the way down in the open position, push the knobs to the bottom of the slots and tighten them. You can now cut off the beater retainer string.

#### FOLDING THE LOOM

1. To prevent treadles from dragging on the floor when the loom is folded, attach every treadle to at least one tie-up cord. Loosen the two black fold knobs one full turn and pull them up to start folding the loom.

2. With one hand on the rear beam and one hand on the front beam, pull the loom together as far as it will go.

3. Tighten the knobs. Push the slide lock bars in towards the front of the loom.



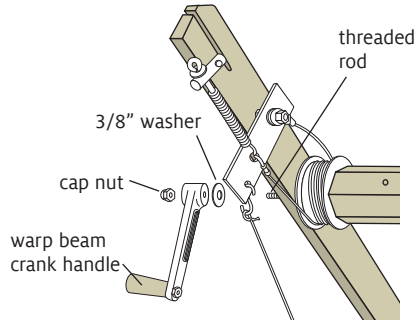
FOLDING AND UNFOLDING



Find out more at [schachtspindle.com](http://schachtspindle.com)  
Schacht Spindle Company 6101 Ben Place Boulder, CO 80301  
p. 303.442.3212 f. 303.447.9273

## ATTACHING THE WARP BEAM CRANK HANDLE

Locate the washer, cap nut, and the wooden crank handle in the Accessory Bag. Place the 3/8" washer and then the metal crank handle on the threaded rod with the wooden crank handle facing out. Secure with the 3/8" cap nut. Tighten the nut by placing the handle over it and turning clockwise. To engage the crank for turning the warp beam, pull the hexagonal hole in the crank onto the cap nut. While weaving the crank should be pushed off the cap nut.



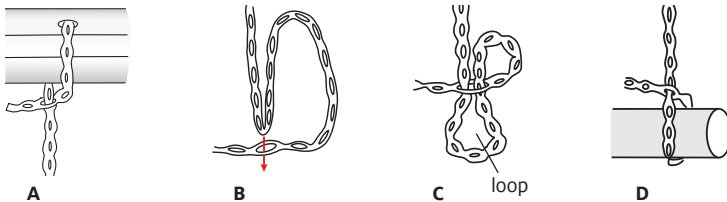
WARP BEAM CRANK HANDLE

## ATTACHING THE APRON BARS

For Cherry Wolf Looms, see the special instructions for attaching the apron bars.

There is one cord for each hole in the cloth and warp beams. Insert one end of a cord through a hole in the beam and pull the cord through. Then insert the other end through the second hole in the end of the cord that you just put through the beam. Pull firmly on the cord to tighten (A). Repeat across the cloth beam and the warp beam.

To attach the apron bar to the apron cords, take a pinch of the cord about 4" from the end (B). Insert the pinched cord through the second hole in the cord. Pull on the pinched cord until a new loop forms that is large enough for the apron bar to slip through (C). Slide the apron bar through the loop (D) and pull tight. Repeat until all cords are attached to the apron bar. Attach the other apron bar to its beam in the same way.



INSTALLING APRON CORDS

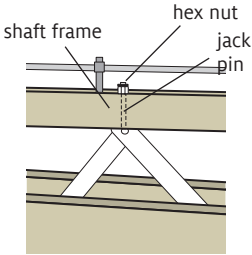
Visit [youtube.com/user/schachtspindle](https://www.youtube.com/user/schachtspindle) for an apron cord installation video.

## INSTALLING THE HEDDLES

Remove the shafts (harnesses) from the loom by removing the rubber rings and unscrewing the small hex nuts from the jack pins. Pull the shaft straight up and out of the loom. When you put the shaft back in the loom, be sure to insert the jack pin back into the hole and secure it with the hex nut. Replacing the rubber ring is optional.

There are 400 heddles for a 4-shaft Baby Wolf and 800 for 8-shaft and 4-now 4-later Baby Wolfs.

Lay a shaft on a flat surface. Flex the heddle bars enough to remove one end from the slot in the side of the shaft frame. Remove the bars from the frame and lay them next to the heddles. Carefully slide a group of heddles onto the heddle bars. Replace the heddle bars in the shaft frame. Place approximately half of the heddles at



JACK PIN ATTACHMENT

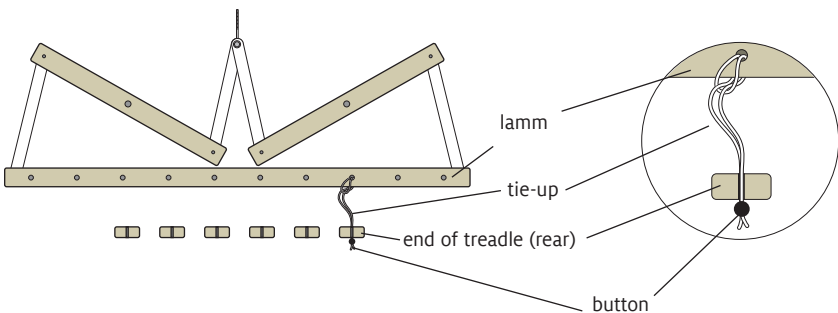
each end of the shaft and place the heddle bars back on the hooks. Put the shaft back in the loom, and secure the jack pin with the hex nut. Repeat for the other shafts. Be sure to keep the heddles oriented in the same direction for easier threading.

## TIE-UP CORDS

There is one tie-up cord for every lamm hole: 24 for a 4-shaft loom; 80 for an 8-shaft and 4 now-4 later looms. There are 10 extra tie-up cords with the 4 now-4 later and 8-shaft looms for the treadle aid. Loop one end of each tie-up cord through a hole in the lamm.

Tie the shafts to the treadle by slipping a tie-up cord into the slot in the treadle. Work from the front lamm to the rear lamm for each treadle. After you have completed your tie-up, check each treadle by pushing it all the way to the floor and releasing it, making sure that the knob of each tie-up cord is up against the treadle and that each cord hangs straight down to the treadle.

There is a 1/2" diameter depression on the underside of the top end of each treadle to prevent the tie-ups from slipping off when the loom is folded. The tie-ups should not be in this hole when weaving.



### FRICION BRAKE ADJUSTMENT

The friction brake can be adjusted by tightening or loosening the eyebolt. This will increase or decrease the tension on the spring, which will in turn increase or decrease the tension on the brake bar and the brake cable.

**Always press down on the brake pedal while you are winding on the warp or advancing the warp on the cloth beam.**

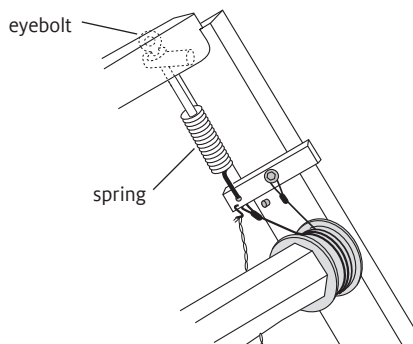
### REMOVING THE BACK BEAM

The back beam can be removed for better access to the heddles while threading the loom. Loosen the black knobs on either side of the back beam, and lift the beam out. To replace the back beam, slide the beam back into the legs, and tighten the black knobs.

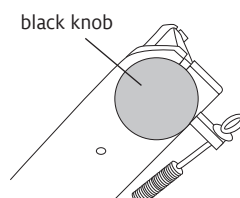
**When moving the loom, be sure to lift it using the cloth and warp beams, not the front and back beams.**

### TREADLE AID FOR 8-SHAFT AND 4 NOW-4 LATER BABY WOLF LOOMS

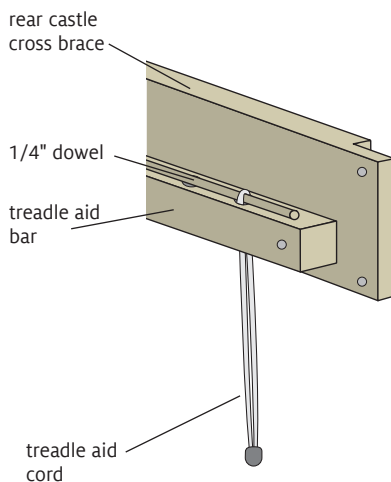
It is helpful to use the Treadle Aid to prevent shafts from floating. The treadle aid bar is already attached to the rear castle cross brace. The other parts you will use for the treadle aid are 10 treadle aid cords and a 1/4" dowel. To set up the treadle aid, start at one end of the treadle aid bar and push a treadle aid cord up through one of the holes (an opened paper clip can be most helpful with this step) and then over the 1/4" dowel. Continue across the entire treadle aid bar. Attach the treadle aid cords to the ends of the treadles in the same manner as you attached the tie-up cords that control the lamms. We recommend using a treadle aid cord on all of the treadles. ■



FRICION BRAKE ADJUSTMENT



REMOVABLE BACK BEAM



TREADLE AID