

**FL5520**

**FL5521**

**FL5522**

# CRANBROOK LOOM BENCH

## ASSEMBLY INSTRUCTIONS



Find out more at [schachtspindle.com](http://schachtspindle.com)  
Schacht Spindle Company 6101 Ben Place Boulder, CO 80301  
p. 303.442.3212 f. 303.447.9273

© 2019 Schacht Spindle Company, Inc.

# CRANBROOK LOOM BENCH

## PARTS

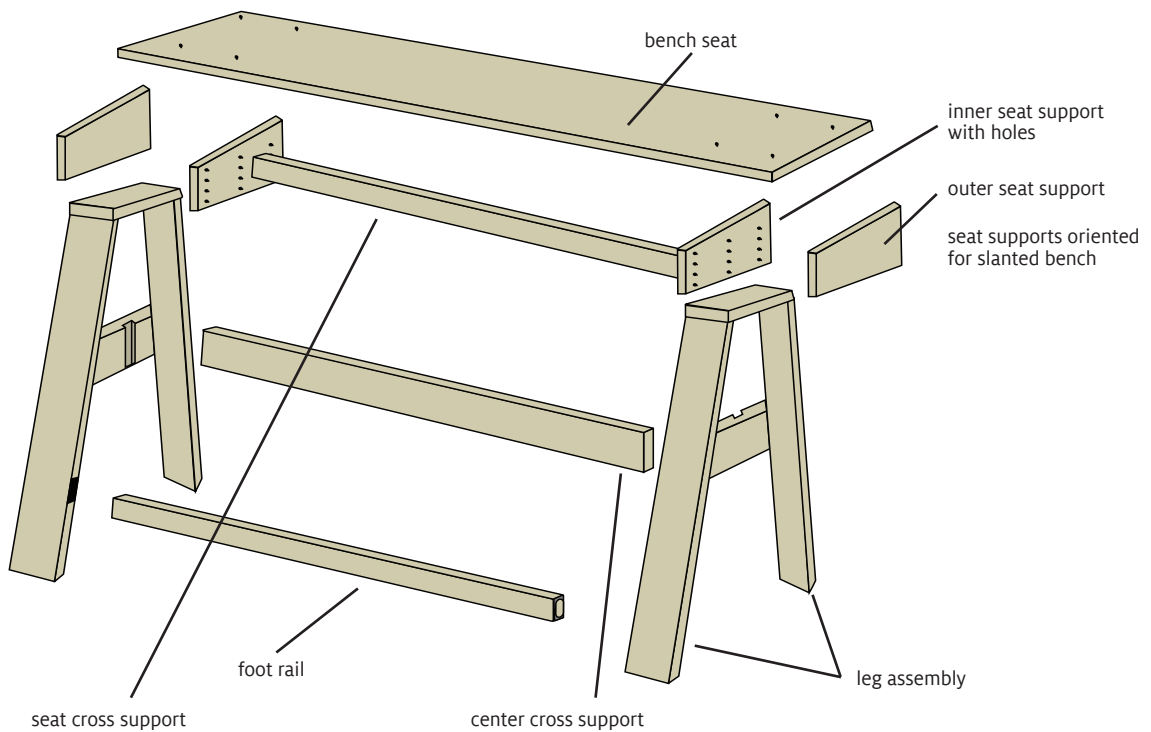
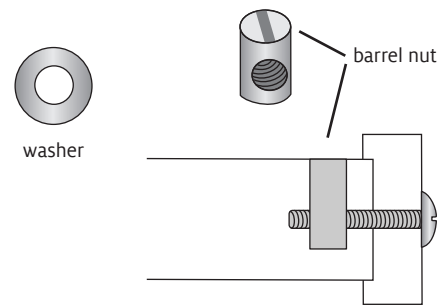
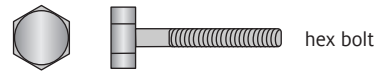
- 1 – bench seat (see Assembly Options B)
- 2 – leg assemblies
- 1 – center cross support (longer)
- 1 – seat cross support (shorter)
- 1 – foot rail (see Assembly Options A)
- 2 – inner seat supports (with holes; see Assembly Options C)
- 2 – outer seat supports (without holes)

## HARDWARE

- 4 – 1/4-20 x 2-1/2" Phillips truss head machine screws
- 4 – 1/4-20 x 2-1/2" slotted flat head machine screws
- 12 – 1/4-20 barrel nuts
- 4 – 1/4-20 x 3-1/4" hex bolts
- 4 – 1/4" washers
- 8 – #10 x 1-3/4" Phillips flat head sheet metal screws

## TOOLS NEEDED

- 2 – slotted (flat) screwdrivers
- #2 Phillips screwdriver
- 7/16" wrench



## ASSEMBLY OPTIONS

Your Schacht Cranbrook Loom Bench has several adjustable features:

- A. There are 2 height positions and 2 edge choices for the foot rail. Install the rail in a high or low position, with the squared edge or the rounded edge facing forward.
- B. The seat can be installed either slanted or flat.
- C. The seat can be installed at 24-1/2", 25-1/2", 26-1/2", or 27-1/2" from the floor.

## ASSEMBLE THE LEG FRAME

1. Place the leg assemblies upright on a table, with the holes on the top pieces facing inwards.
2. To install the foot rail, choose the high or low placement and the rounded or squared edge facing toward the front. Set the foot rail into the mortises in the side leg assemblies accordingly.
3. Attach the center cross support to the leg assemblies at the center dado groove in each leg assembly, using 1/4" x 2-1/2" Phillips truss head machine screws and barrel nuts on each side. Use a slotted screwdriver to hold the barrel nut in position. As you tighten the machine screws, align the top of the center cross brace with the top of the dado.
4. Set the assembled leg frame aside.

## ASSEMBLE THE HEIGHT ADJUSTER

5. Attach the seat cross support to the inner seat supports. At this point, choose to install the supports for either a slanted or a flat bench seat.
6. Place the inner seat supports upright on the table with the flat side down, and the sides with countersunk holes toward the outside. For the slanted top, install the seat cross supports in the top center holes. For the flat top, install the seat cross support in the lower center holes and turn the assembly over once it is assembled.
7. Attach the seat cross support to the inner seat supports with 1/4" x 2-1/2" slotted flat head machine screws and barrel nuts. Use a slotted screwdriver to hold the barrel nut in position.

## ATTACH THE HEIGHT ADJUSTER ASSEMBLY TO THE LEG FRAME

8. For the slanted bench, orient the height adjuster assembly with the slanted edge of the inner seat support to the top and the lower side of the slant to the front of the bench. For the flat bench, orient the height adjuster assembly with the flat edge to the top.
9. Choose the seat height you want and locate the set of 4 holes on the inner seat supports that will place the seat accordingly. For the tallest bench, use the lowest holes on the inner bench supports; for the shortest bench, use the topmost holes.
10. Place a 1/4" washer on a 1/4-20 x 3-1/4" hex bolt, then insert the bolt into one of the chosen holes in the inner seat support from the inside to the outside. Repeat for the other 3 holes in the same set (that is, at the same level) in the inner seat supports.
11. Insert a 1/4-20 barrel nut into the 2 holes on the underside of a leg assembly. Hold them in place with a slotted (flat) screwdriver or masking tape. Place the leg assembly over the height assembly and secure the bolts into the barrel nuts with the 7/16" wrench.
12. Repeat Step 11 for the other leg assembly.

## ASSEMBLE THE BENCH SEAT

13. Orient the outer supports to match the inner seat supports for a slanted or flat bench.
14. Place the bench seat on top of the outer seat supports and line up the outermost pair of holes in the bench seat with the holes in the tops of the outer seat supports.
15. Attach the bench seat to the outer seat supports with #10 x 1-3/4" Phillips flat head sheet metal screws. Lubricate the screws with soap or paste wax to make this easier.

## ATTACH THE BENCH SEAT

16. Set the bench seat onto the leg frame assembly and line up the innermost pair of holes on the bench seat with the holes in the tops of the inner seat supports.
17. Attach the bench seat to the inner seat supports with #10 x 1-3/4" Phillips flat head sheet metal screws. Lubricate the screws, as in Step 15, for easier insertion. ■