

MATCHLESS SPINNING WHEEL

FRONT MAIDEN REPLACEMENT

FOR WHEELS BUILT BEFORE 1/19/12

PARTS

1 – front maiden

1 – hex wrench

REPLACE THE FRONT MAIDEN

- Remove the flyer, bobbin, and whorl.
- If your wheel has a bolt screwed into a bronze insert, remove the bolt (figure 1).
- If your wheel has a T-knob (figure 2), Remove the T-knob, washers, and bolt.
- Remove the front maiden and replace with the new front maiden.
- Secure the front maiden with the bolt

(figure 1) or with the bolt, washers, and T-knob (figure 2).

ADJUST THE FRONT MAIDEN STOP

- Make sure that the front maiden is at a 90 degree angle to the mother-of-all.
- Using the included hex wrench, adjust the front maiden stop (hex head screw on the back of the front maiden) so that the front maiden can't tip past 90 degrees.

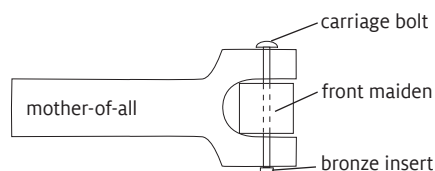


FIGURE 1 - BOLT AND BRONZE INSERT

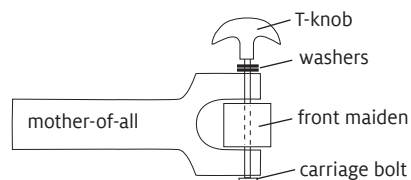
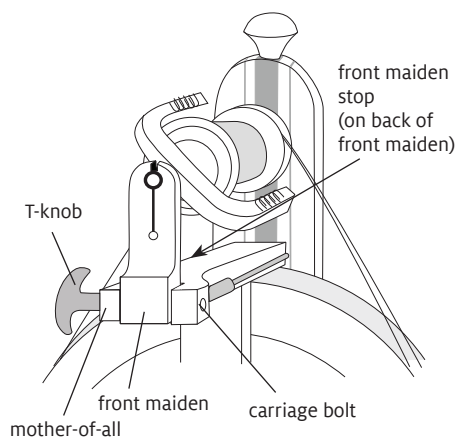


FIGURE 2 - T-KNOB, WASHERS AND BOLT



Find out more at schachtspindle.com

Schacht Spindle Company 6101 Ben Place Boulder, CO 80301

p. 303.442.3212 f. 303.447.9273

© 2012 Schacht Spindle Company, Inc.

08.12

MATCHLESS SPINNING WHEEL

FRONT MAIDEN REPLACEMENT FOR WHEELS BUILT BEFORE 1/19/12

PARTS

- 1 – front maiden
- 1 – hex wrench

REPLACE THE FRONT MAIDEN

- Remove the flyer, bobbin, and whorl.
- If your wheel has a bolt screwed into a bronze insert, remove the bolt (figure 1).
- If your wheel has a T-knob (figure 2), Remove the T-knob, washers, and bolt.
- Remove the front maiden and replace with the new front maiden.
- Secure the front maiden with the bolt

(figure 1) or with the bolt, washers, and T-knob (figure 2).

ADJUST THE FRONT MAIDEN STOP

- Make sure that the front maiden is at a 90 degree angle to the mother-of-all.
- Using the included hex wrench, adjust the front maiden stop (hex head screw on the back of the front maiden) so that the front maiden can't tip past 90 degrees.

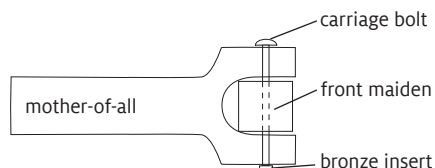


FIGURE 1 - BOLT AND BRONZE INSERT

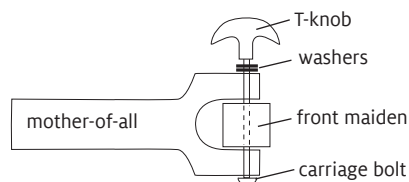
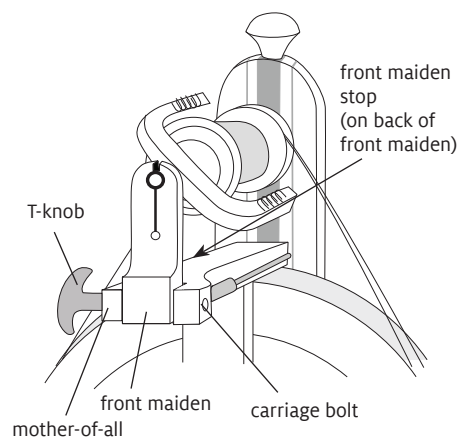


FIGURE 2 - T-KNOB, WASHERS AND BOLT



Find out more at schachtspindle.com
Schacht Spindle Company 6101 Ben Place Boulder, CO 80301
p. 303.442.3212 f. 303.447.9273

© 2012 Schacht Spindle Company, Inc.

08.12

MATCHLESS SPINNING WHEEL

FRONT MAIDEN REPLACEMENT FOR WHEELS BUILT AFTER 1/19/12

PARTS

- 1 – front maiden
- 1 – hex wrench

REPLACE THE FRONT MAIDEN

- Open the quick release lever (figure 1).
- Unscrew and remove the quick release knob, then remove the quick release lever.
- Remove the front maiden and replace with the new front maiden.
- Insert the quick release lever and secure with the quick release knob.
- Close the quick release lever. The knob should be just tight enough to need firm pressure to close the lever.

- If the lever closes loosely, open the lever, tighten the knob a bit, and try closing the lever again. If the lever requires a lot of pressure to close, loosen the knob a bit.

ADJUST THE FRONT MAIDEN STOP

- Make sure that the front maiden is at a 90 degree angle to the mother-of-all.
- Using the included hex wrench, adjust the front maiden stop (hex head screw on the back of the front maiden) so that the front maiden can't tip past 90 degrees.

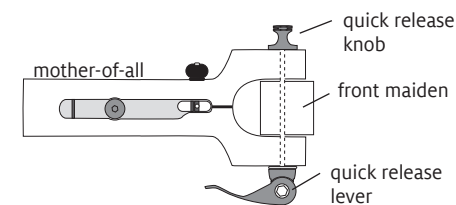
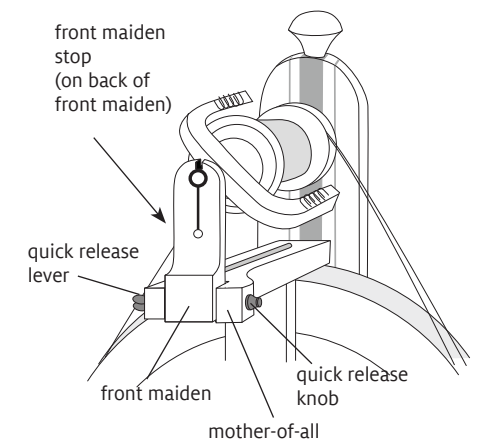


FIGURE 1 - QUICK RELEASE LEVER AND KNOB



Find out more at schachtspindle.com
Schacht Spindle Company 6101 Ben Place Boulder, CO 80301
p. 303.442.3212 f. 303.447.9273

© 2012 Schacht Spindle Company, Inc.

08.12