

# TRESTLE FLOOR STAND

SL2302

## ASSEMBLY INSTRUCTIONS



TRESTLE STAND SHOWN WITH FLIP LOOM

### PARTS

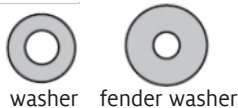
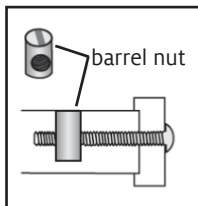
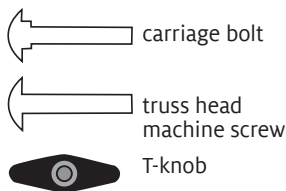
- 2 – uprights
- 2 – bases
- 2 – adjuster bars
- 2 – short cross braces
- 1 – long cross brace

### TOOLS NEEDED

- #2 Phillips screwdriver
- slotted (flat) screwdriver (optional)
- 5/16" drill bit (for Tapestry Looms)
- hammer (for Tapestry & Rigid Heddle looms)

### HARDWARE

- 2 -- 3-1/2" truss head machine screws
- 2 -- 2-1/2" truss head machine screws
- 2 -- 2" truss head machine screws
- 4 -- barrel nuts
- 2 -- wing nuts
- 2 -- washers
- 2 -- fender washers
- 2 -- 3/4" nylon spacers
- 2 -- 1-1/4" nylon spacers
- 2 -- 1-1/4" round black knobs
- 2 -- 2" round black knobs
- 2 -- 2-1/2" round black knob
- 2 -- oblong T-knobs
- 2 -- 2-1/2" carriage bolts
- 2 -- propeller nuts



*Stand hardware is included for Flip, Standard Rigid Heddle, and Tapestry looms. Not all parts will be used.*



For more information: [schachtspindle.com](http://schachtspindle.com)  
Schacht Spindle Company, 6101 Ben Place, Boulder, CO 80301  
p. 303.442.3212 f. 303.447.9273

© 2018 Schacht Spindle Company, Inc.

## BEFORE YOU START

**All non-folding rigid heddle looms, as well as Flip looms built before late February 2010, do not have a threaded insert in the loom sides (Figure 1). Contact your dealer or Schacht for an insert kit and instructions.**

### TAPESTRY LOOMS:

- On the loom sides, locate the holes about 10" above the bottom bar (see the tapestry loom assembly manual).
- On both sides of the loom, ream out the hole using a 5/16" drill bit.
- From the inside of the loom, insert the propeller nuts into the holes.

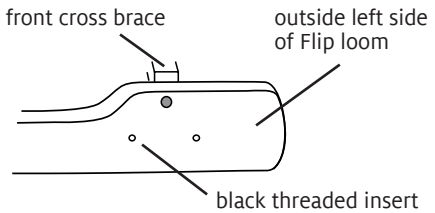
### ATTACH CROSS BRACES TO BASES

- Orient both bases with the large holes facing each other (Figure 2).
- For the 30" Flip loom, use the long cross brace and one short cross brace. Attach the long cross brace to the right base. For all other looms, use the two short cross braces.
- Orient the cross braces with the angled sides facing away from each other as shown in Figure 2.
- Use 2-1/2" truss head machine screws and barrel nuts to attach the cross braces to the bases as shown in Figure 2. Insert each barrel nut into the hole closest to the end of the cross brace.
- As you continue assembling the stand, keep the left side cross brace in front as shown in the figures.

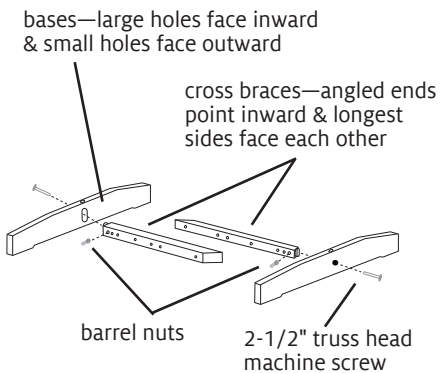
### ATTACH UPRIGHTS TO BASES

*Keep the left side cross brace in front and positioned as shown in the figures.*

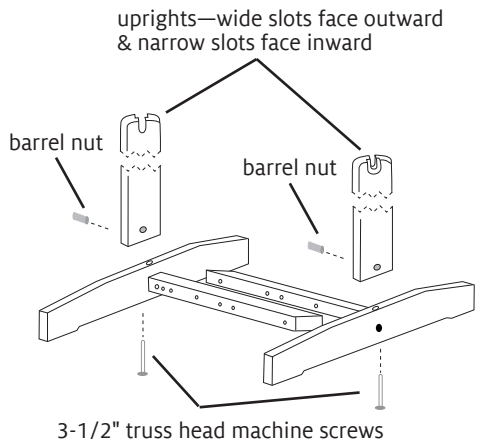
- Position the wide side of the slot in the top of the upright toward the outside of the base (Figure 3).
- Use 3-1/2" truss head machine screws and barrel nuts to attach the uprights to the bases.



**FIGURE 1: CHECK FOR BLACK THREADED INSERT (FLIP LOOM SHOWN)**



**FIGURE 2: ATTACH CROSS BASES TO BASES**



**FIGURE 3: ATTACH UPRIGHTS TO BASES**

## ATTACH ADJUSTER BARS TO UPRIGHTS

- Place a large fender washer on a 1-1/4" round black knob.
- Insert the knob into the long slot on the adjuster bar (Figure 4).
- With the adjuster bar on the outside of the stand, fasten the knob into the threaded insert in the stand upright.
- Repeat for the other side.

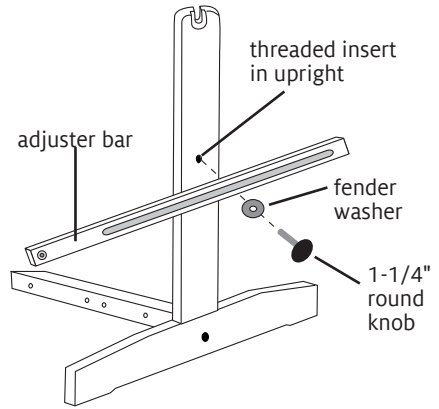


FIGURE 4: ATTACH ADJUSTER BARS TO THE UPRIGHTS

## PLACE THE LOOM ON THE STAND

Keep the left side cross brace in front and positioned as shown in the figures.

### FLIP:

- Unscrew the oblong T-knobs on your Flip loom about half an inch.
- Slide the T-knobs into the slots in the tops of the uprights (Figure 5).
- If the bolt in the T-knob is not long enough to place the loom on the stand, remove it and replace it with a 2-1/2" carriage bolt. Be sure to orient the square head of the carriage bolt with the hole in the loom side.

### RIGID HEDDLE & TAPESTRY:

- From the inside of the loom, push a 2-1/2" carriage bolt through the hole in the middle of the loom side.
- With a hammer, tap the carriage bolt into the wood.
- Loosely fasten a new oblong T-knob to the bolt.
- Repeat for the other side.
- Slide the T-knobs into the slots in the tops of the uprights (Figure 5).

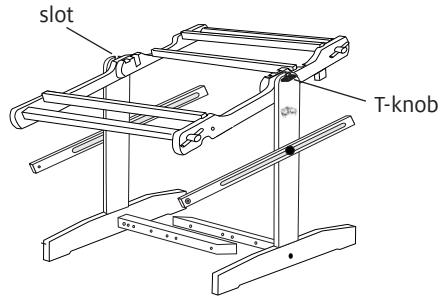


FIGURE 5: PLACE LOOM ON THE STAND

## SECURE THE LOOM

### ALL LOOMS:

Tighten the T-knobs so that the loom is secure but can still swivel on the uprights.

## ATTACH ADJUSTER BARS TO LOOM

### FLIP:

- Push a 2" round black knob through the hole in the adjuster bar (Figure 6).
- Place a 3/4" nylon spacer on the threaded part of the knob.
- Fasten the knob into the insert in the side of the loom.
- Repeat for other adjuster bar.

### TAPESTRY:

- Push a 2-1/2" round black knob through the hole in the adjuster bar (Figure 6).
- Place a 1-1/4" nylon spacer on the threaded part of the knob.
- Fasten the knob into the insert in the side of the loom.
- Repeat for other adjuster bar.

### RIGID HEDDLE:

- Push a 2-1/2" round black knob through the hole in the adjuster bar (Figure 6).
- Place a 3/4" nylon spacer on the threaded part of the knob.
- Fasten the knob into the insert in the side of the loom.
- Repeat for other adjuster bar.

## SECURE THE CROSS BRACES

### ALL LOOMS:

- Locate the set of holes that are aligned in the cross braces for your loom (Figure 7).
- Keeping the left cross brace in front of the right cross brace, insert 2" truss head machine screws through the cross braces. On the back of the cross braces, place a washer on the screw and secure with a wing nut (Figure 8).

To reposition the loom, slightly loosen the round black knobs and T-knobs on the uprights (Figures 4 and 5, page 3). Position the loom as desired and retighten all knobs. ■

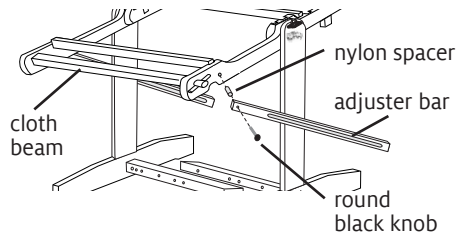


FIGURE 6: ATTACH ADJUSTER BARS TO THE LOOM

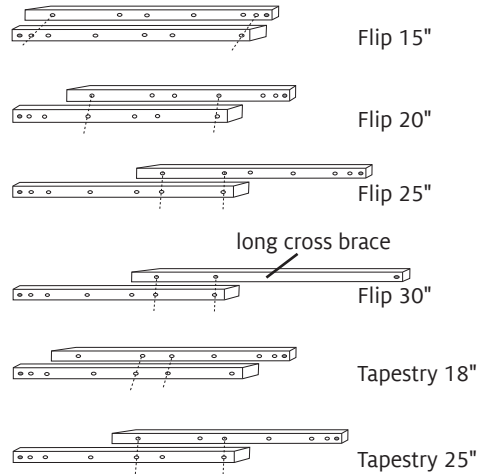


FIGURE 7: CROSS BRACE ALIGNMENT

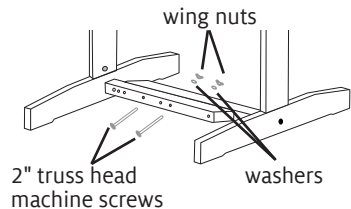


FIGURE 8: SECURE CROSS BRACES